

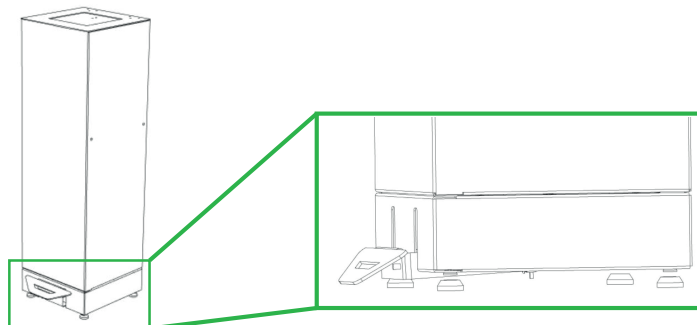
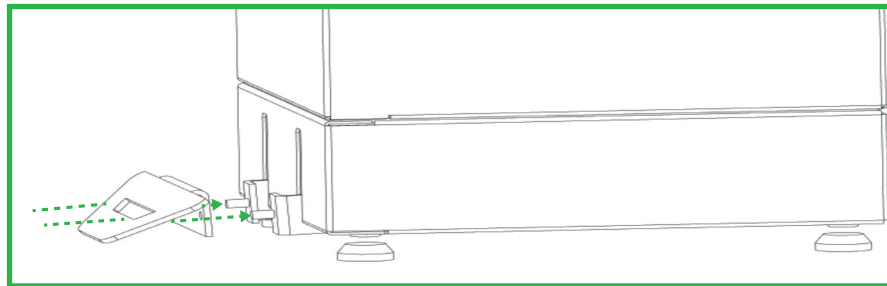
INDEX

Pedal system assembly instructions pag. 2

Instructions to make recycling stations pag. 3



- 1 Insert the pedal piece through the holes into the screws placed on the frontal bottom of the bin, and it must be screwed with nuts and key supplied:



- ! Keep all the articulated parts clean and lubricate the system from the pedal cable ends (at the base and inside the lid, like pictures) hinges every two months.



General Guarantee

Cervic Environment products have a general guarantee of 2 years (from the date of the delivery).

The guarantee shall cover defective where failure has been caused by faulty materials. The guarantee does not cover defects resulting from inappropriate storage or handling or installation or use or improper/lack of maintenance, mechanical damage, vandalism or natural wear and tear, defects caused by natural disasters or other external climatic influences.

It shall be client's responsibility to notify us of any defects immediately on occurrences, and this guarantee shall be void if repairs or other works are carried out by a Third Party. The guarantee does not cover costs accumulated to a third party or indirect costs. The guarantee only covers the replacement of parts with manufacturing faulty materials.

The client is responsible for inspecting and ensuring that the product is serviced and taken care of. The client is also responsible for ensuring that the products are installed and fixed properly, and that the users and other people are not subjected to danger.

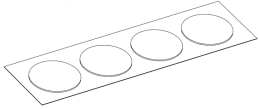
Alicante Pedal

Instructions to make recycling stations

Internal Recycling Bins

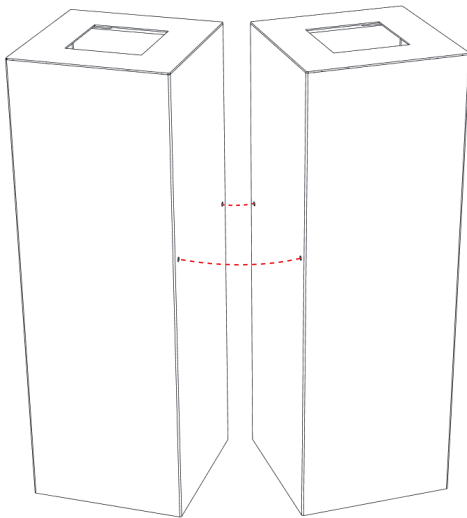


2 x Joint Plastic Rivets (each bin)

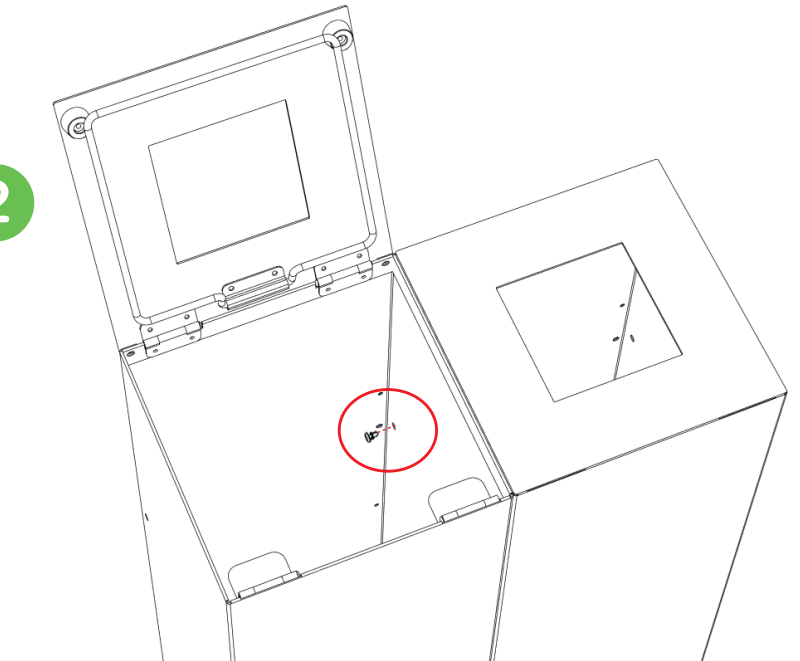


4 x Trim stickers for lateral holes (each bin)

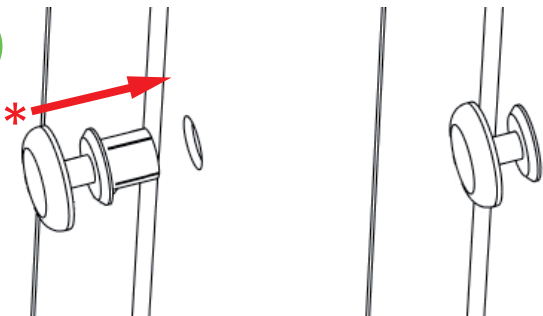
1



2

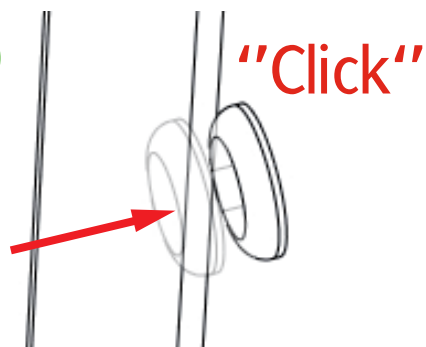


3

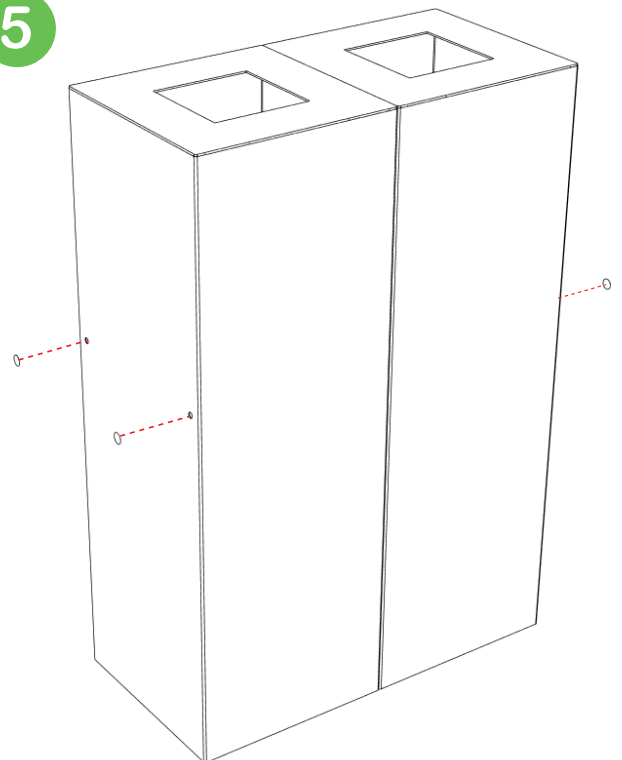


* Warning!! is very important that the snap rivet must be inserted through holes in the two bins in this step

4



5



Place in the remaining side holes the adhesive covers



Phone. (+34) 96 555 02 67

Fax. (+34) 96 555 37 62

Avda. del juguete, 14

03440 IBI (Alicante) Spain

sales@cervic.com

www.cervicenvironment.com